

HPVR-20 AXIAL PISTON PUMPS



The HPVR series of inline axial piston variable displacement pumps, are available in five displacements and three compact frame sizes.

These pumps feature medium-high working pressure capabilities that will meet most applications.

The output flow and pressure is controlled by a variety of control options, and can easily work in conjunction with external control components making them the perfect choice for almost any application.

The HPVR series pumps are available in both SAE and ISO mounting 2 bolt patterns. Porting is available in rear and side locations as well as thru-drive configurations.

TYPICAL PERFORMANCE SPECIFICATIONS			
VOLUMETRIC DISPLACEMENT		cu. In./rev.	2.62
		ml/rev.	42.9
PUMP DELIVERY @ 1750 RPM	Theoretical	GPM	19.85
		LPM	75.03
OPERATING PRESSURES	Intermittent*	PSI	4500
		BAR	310
	Continuous	PSI	4000
		BAR	275
	Minimum**	PSI	200
		BAR	14
OPERATING SPEEDS	Maximum RPM		See Below
	Rated RPM		1750
	Minimum RPM		500
INPUT POWER @ 1750 RPM (Rated Flow and Pressure)		HP	53
		Kw	39.5
CASE DRAIN FLOW @ Deadhead & Rated Pressure		GPM	1.6
		LPM	6.1
MOUNTING FLANGE		SAE Type	C 2-Bolt
DRIVE SHAFT	Keyed Shaft SAE J744 C		1.25 in.
	Spline Shaft SAE C		14 tooth
SHIPPING WEIGHTS	REAR PORTS	lbs	75
		kg	34
	SIDE PORTS	lbs	90
		kg	41
	SIDE PORTS	lbs	100
		TANDEM	kg

* This pressure should not exceed 10% of the duty cycle and not exceed 6 consecutive seconds.

** Pumps operating at less than 150 PSI (10 Bar) may overheat and shorten pump life.

CASE AND INLET PORT SPECIFICATIONS

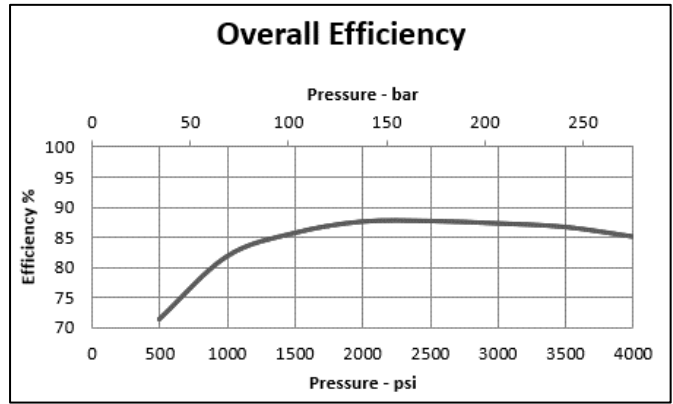
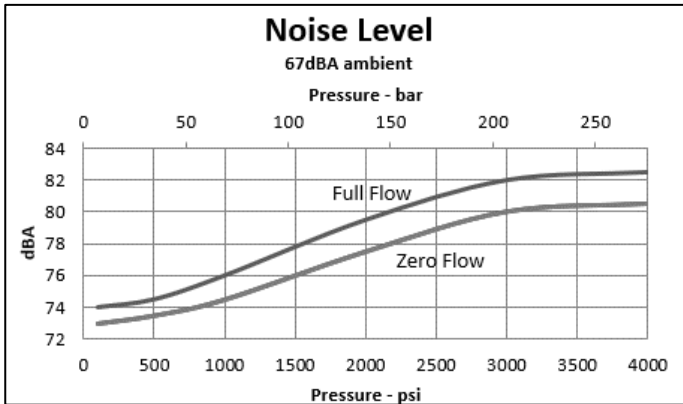
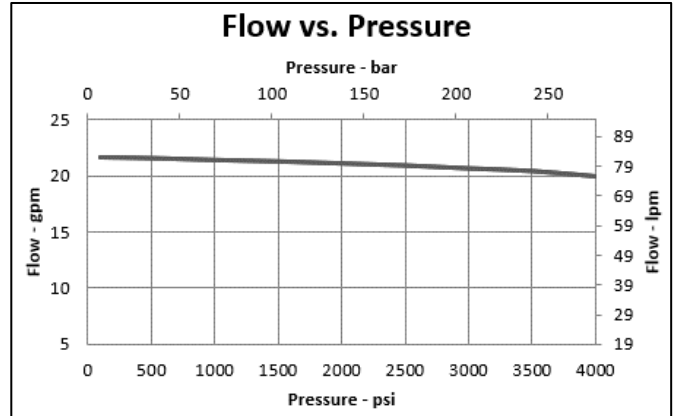
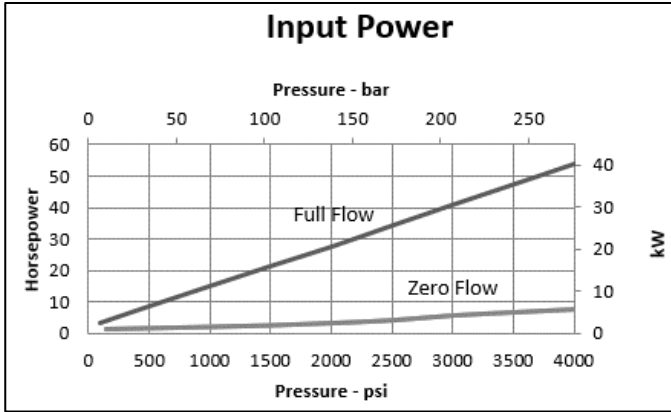
SPEED rpm	Minimum Inlet Pressure					Maximum Case Pressure		
	Pressure Gauge			Absolute Pressure		psi	bar	
	psi	bar	in.-Hg	mm-Hg	psi	bar	psi	bar
1800	-3	-0.21	-6.12	-155.46	11.7	0.81	10	0.69
2050	-3	-0.21	-6.12	-155.46	11.7	0.81	7	0.48
2100	-2.45	-0.17	-6.12	-126.72	12.25	0.8	5	0.34
2200	-1.25	-0.09	-5.16	-64.8	13.45	0.9	5	0.34
2300	0.00	0.00	0.00	0.00	14.7	1.01	5	0.34
2400	1.31	0.09	2.66	67.88	16.08	1.1	5	0.34

PRESSURE AND VOLUME ADJUSTMENT SENSITIVITY

Pressure Adjustment	Pressure Change / Turn	650 PSI	44.8 Bar
Volume Adjustment	Flow Change / Turn	2.1 GPM	7.9 LPM
	Maximum Torque	49 in.-lbs	5.5 Nm



HPVR-20 AXIAL PISTON PUMPS

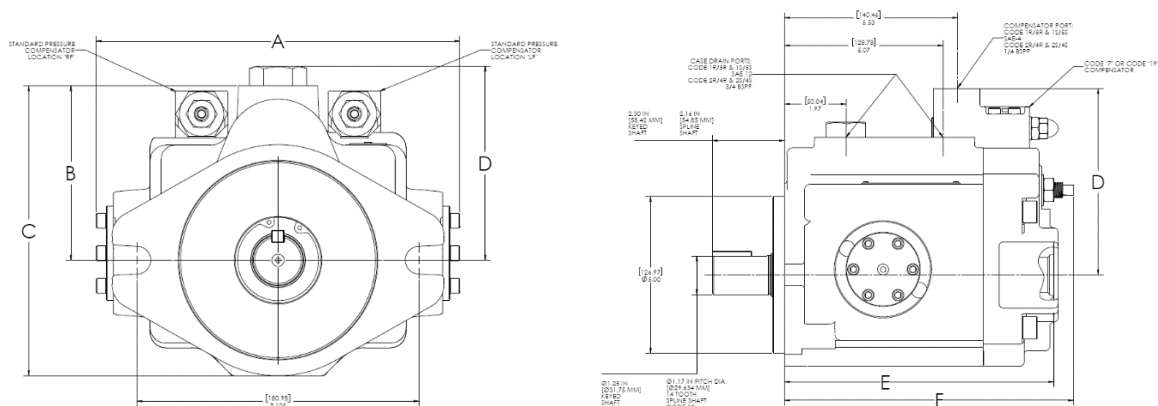


Data taken at 1800 RPM

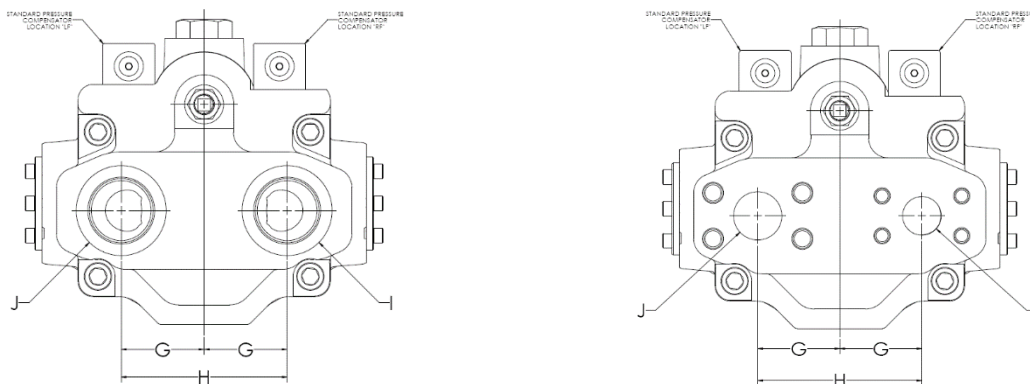
HPVR-20 AXIAL PISTON PUMPS



Rear Port Dimension Data



Dimensional Reference Data	Inch (mm)
A	9.18 (233.2)
B	4.40 (111.8)
C	7.32 (185.9)
D (STD Pressure Compensator)	4.90 (124.4)
D (Code 7 Remote & Code 19 Load Sense)	5.96 (151.4)
E	8.60 (218.4)
F	9.23 (234.4)

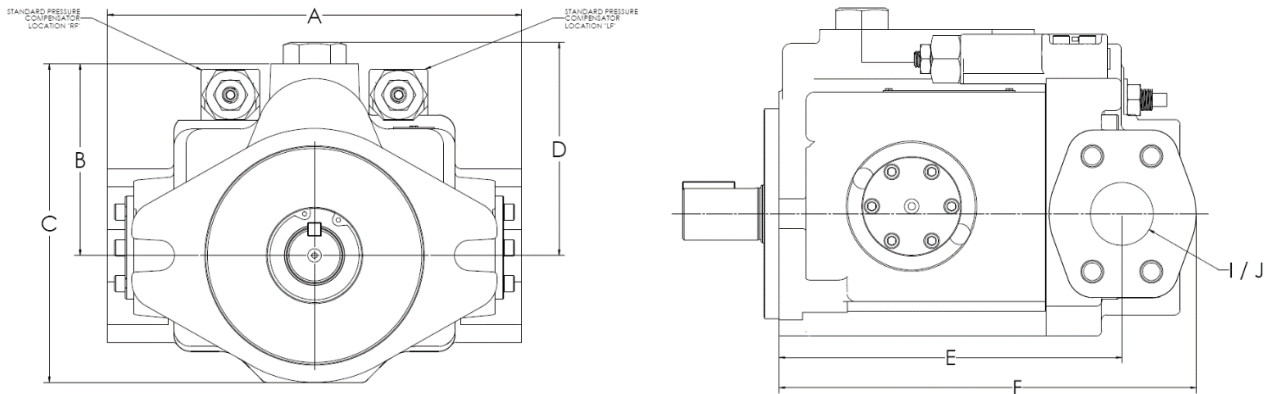


Dimensional Reference Data	Inch (mm)
G	2.125 (53.9)
H	4.25 (107.9)
I Code 1R - Rear SAE Porting	SAE-20
I Code 2R- Rear BSPP Porting	1-1/4 BSPP
I Code 4R- Rear 4 Bolt Flange (Metric Threads)	1 SF
I Code 5R- Rear 4 Bolt Flange (UNC Threads)	1 SF
J Code 1R - Rear SAE Porting	SAE-20
J Code 2R- Rear BSPP Porting	1-1/4 BSPP
J Code 4R- Rear 4 Bolt Flange (Metric Threads)	1-1/4 SF
J Code 5R- Rear 4 Bolt Flange (UNC Threads)	1-1/4 SF
Note: REAR Port Flange are code 61, Both Pressure and Suction	



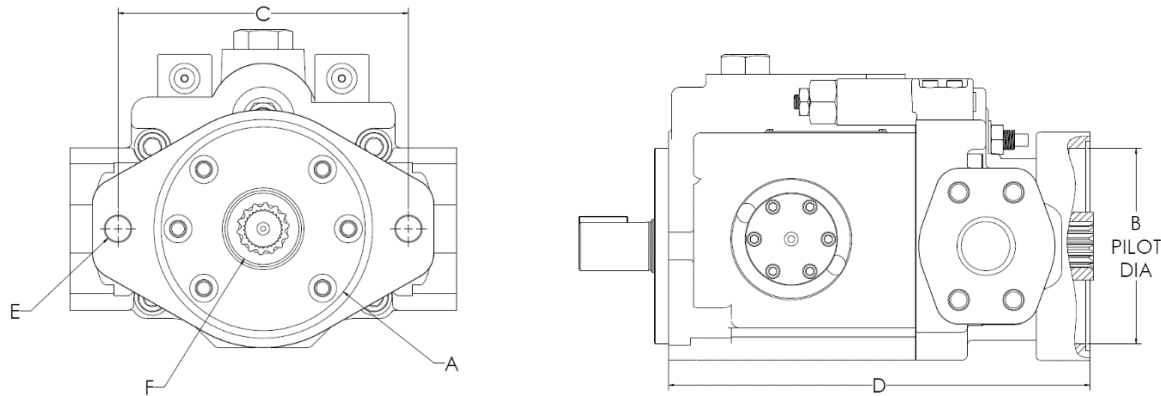
HPVR-20 AXIAL PISTON PUMPS

Side Port Dimension Data



Dimensional Reference Data	Inch (mm)
A	9.50 (241.3)
B	4.40 (111.7)
C	7.32 (185.9)
D (STD Pressure Compensator)	4.90 (124.5)
D (Code 7 Remote & Code 19 Load Sense)	5.96 (151.4)
E	8.15 (207)
F	9.92 (251.9)
I Code 4S- Side 4 Bolt Flange (Metric Threads)	1 SF
I Code 5S- Side 4 Bolt Flange (UNC Threads)	1 SF
J Code 4S- Side 4 Bolt Flange (Metric Threads)	1-1/2 SF
J Code 5S- Side 4 Bolt Flange (UNC Threads)	1-1/2 SF
Note: Suction Flange are code 61 and Pressure Flange are code 62	

HPVR-20 AXIAL PISTON PUMPS

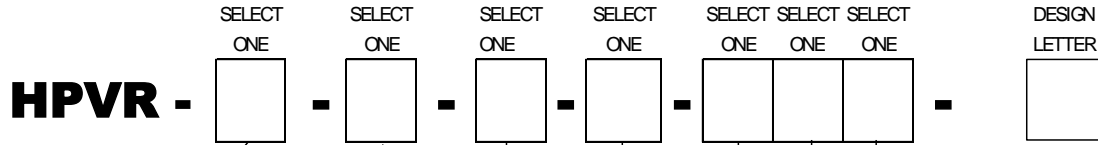


CODE	MOUNTING PAD	DIMENSIONS Inches (mm)				Thread	30° Involute Internal Spline	Maximum H.P. Rating* (at 1750 RPM)	Maximum Torque Rating* (in-lbs)
		A	B	C	D				
21	SAE "A"	3.25 (82.6)	4.18 (106.2)	10.54 (267.7)	3/8-16 UNC	9 Tooth 16/32 Pitch 0.5625 Dia.	8.5	306	
22	SAE "B"	4.00 (101.6)	5.75 (146.1)	10.70 (271.8)	1/2-13 UNC	13 Tooth 16/32 Pitch 0.8125 Dia.	16.8	586	
23	SAE "C"	5.00 (127.0)	7.13 (181.1)	10.82 (274.8)	5/8-11 UNC	14 Tooth 12/24 Pitch 1.1667 Dia.	43.8	1577	
31	SAE "A"	3.25 (82.6)	4.18 (106.2)	10.54 (267.7)	3/8-16 UNC	13 Tooth 16/32 Pitch 0.8125 Dia.	16.8	586	
21D	SAE "A"	3.25 (82.6)	4.18 (106.2)	10.54 (267.7)	M10	9 Tooth 16/32 Pitch 0.5625 Dia.	8.5	306	
22D	SAE "B"	4.00 (101.6)	5.75 (146.1)	10.70 (271.8)	M12	13 Tooth 16/32 Pitch 0.8125 Dia.	16.8	586	
23D	SAE "C"	5.00 (127.0)	7.13 (181.1)	10.82 (274.8)	M16	14 Tooth 12/24 Pitch 1.1667 Dia.	43.8	1577	
31D	SAE "A"	3.25 (82.6)	4.18 (106.2)	10.54 (267.7)	M10	13 Tooth 16/32 Pitch 0.8125 Dia.	16.8	586	

* This is the maximum horsepower or torque that can be transmitted through the shaft coupling to the rear pump



HPVR-20 AXIAL PISTON PUMPS



SIZE			
CODE	FLOWAT	MAXIMUM	DISPLACEMENT
	1750 RPM	PRESSURE	
20B40	20 GPM	4000 PSI	$\frac{\text{in}^3}{\text{rev}}$ 2.62 $\frac{\text{cm}^3}{\text{rev}}$ 42.9

ROTATION	
CODE	DESCRIPTION
RF	CWROTATION (STD)
LF	CCWROTATION

SEALS	
CODE	DESCRIPTION
O	BUJANA-N (STD)
P	VITON

PORT OPTIONS	
CODE	DESCRIPTION
1R	SAE C 2 BOLT MOUNTING FLANGE (STD) SAE O-RING THREAD CASE DRAIN REAR SAE O-RING THREAD PORTS
2R	SAE C 2 BOLT MOUNTING FLANGE BRITISH STD PIPE (BSPP) THREAD CASE DRAIN REAR BSPP THREAD PORTS
SPLIT FLANGE CODE 61 SUCTION AND CODE 62 PRESSURE	
4R	SAE C 2 BOLT MOUNTING FLANGE BSPP THREAD CASE DRAIN REAR SAE 4 BOLT FLANGE (METRIC THREADS)
5R	SAE C 2 BOLT MOUNTING FLANGE SAE O-RING THREAD CASE DRAIN REAR SAE 4 BOLT FLANGE (UNC THREADS)
4S	SAE C 2 BOLT MOUNTING FLANGE BSPP THREAD CASE DRAIN SIDE SAE 4 BOLT FLANGE (METRIC THREADS)
5S	SAE C 2 BOLT MOUNTING FLANGE SAE O-RING THREAD CASE DRAIN SIDE SAE 4 BOLT FLANGE (UNC THREADS)

See Dimensional Pages for Port Size and Code Type

CONTROL OPTIONS	
CODE	DESCRIPTION
OMIT	PRESSURE COMPENSATOR (STD)
7	REMOTE COMPENSATOR
19	LOAD SENSING COMPENSATOR

TANDEM	
CODE	DESCRIPTION
OMIT	NO TANDEM OPTION (STD)
21	SAE "A" FLANGE PUMP MOUNT (UNC THREADS) SAE A SPLINE SHAFT COUPLING
22	SAE "B" FLANGE PUMP MOUNT (UNC THREADS) SAE B SPLINE SHAFT COUPLING
23	SAE "C" FLANGE PUMP MOUNT (UNC THREADS) SAE C SPLINE SHAFT COUPLING
31	SAE "A" FLANGE PUMP MOUNT (UNC THREADS) SAE B SPLINE SHAFT COUPLING
21D	SAE "A" FLANGE PUMP MOUNT (METRIC THREADS) SAE A SPLINE SHAFT COUPLING
22D	SAE "B" FLANGE PUMP MOUNT (METRIC THREADS) SAE B SPLINE SHAFT COUPLING
23D	SAE "C" FLANGE PUMP MOUNT (METRIC THREADS) SAE C SPLINE SHAFT COUPLING
31D	SAE "A" FLANGE PUMP MOUNT (METRIC THREADS) SAE B SPLINE SHAFT COUPLING

SHAFT	
CODE	DESCRIPTION
OMIT	STRAIGHT KEY (STD) SAE J744 C 1.25inch SHAFT
12	FRONT MALE SPLINE SAE C: 14 TOOTH 16/32 Pitch